

**A better
view of
the world**



MeoHunter R5

User manual

EN



CZ NIKDY SE NEDÍVEJTE OPTICKÝM PŘÍSTROJEM
PŘÍMO DO SLUNCE!

EN NEVER LOOK DIRECTLY AT THE SUN THROUGH
THE DEVICE!

DE SCHAUEN SIE NIEMALS DURCH DAS
OPTISCHE GERÄT DIREKT IN DIE SONNE!

FR NE JAMAIS UTILISER LE DISPOSITIF OPTIQUE
POUR REGARDER LE SOLEIL DIRECTEMENT !

IT NON GUARDARE MAI DIRETTAMENTE IL SOLE
ATTRAVERSO LO STRUMENTO OTTICO!

ES NUNCA MIRE AL SOL DIRECTAMENTE MEDIANTE
NINGÚN TIPO DE INSTRUMENTO ÓPTICO!

PT NUNCA OLHE DIRETAMENTE PARA O SOL COM
O DISPOSITIVO ÓPTICO!

RU НИКОГДА НЕ СМОТРИТЕ В ОПТИЧЕСКИЙ
ПРИБОР ПРЯМО НА СОЛНЦЕ!



Dear customer,

All optical devices manufactured and sold by Meopta s.r.o. are produced using the latest technology and standards and offer users long-term satisfaction.

To ensure a reliable, trouble-free service life, Meopta s.r.o. takes this opportunity to provide you with detailed information on the functions, maintenance and safe use of the optical device you have purchased.

Before installing and using the optical device, please study this manual carefully.

In the event of a complaint or defect, contact your dealer or the manufacturer directly – Meopta s.r.o. Information on our products, news and dealers can be found at www.meoptasportsoptics.com.

**RECOMMENDATIONS FOR A NEW RIFLE SCOPE MOUNTING**

Quality mount is very important to perfect operation of every optical device, including rifle scopes, regardless of their size and optical parameters. Therefore, when choosing a mounting, special attention must be paid to its parameters and quality of workmanship.

When choosing a rifle scope mounting, we recommend sticking to proven, high-quality manufacturers and entrusting actual adjustment, including subsequent rectification (aiming) to a professional, preferably a gunsmith, armourer, or an experienced shooter with theoretical knowledge and practical skills.

A poor-quality mounting with unprofessional adjustment of the optical device is one of the main causes of unsatisfactory results when rectifying a rifle scope and aligning the optical axis of the rifle scope with the axis of the weapon system barrel. In some cases, it can lead to irreversible mechanical damage to the rifle scope, which not only makes the optical device unreliable, but also voids the manufacturer's warranty.



ANTI-REFLECTIVE COATINGS

The special anti-reflective coatings provide light transmittance.



WATER-REPELLENT COATINGS

External optical surfaces have a special hydrophobic coating.



NITROGEN-FILLED

The rifle scopes are sealed and filled with inert nitrogen gas, which provides reliable protection against fogging.



WATERPROOF

The rifle scopes are completely waterproof, even when fully immersed in water, and are fully protected against moisture, rain and snow.



SHOCK RESISTANT

The mechanical design of the rifle scopes provides maximum shock resistance, making them suitable for all common types of weapons.



QUADRATIC COURSE OF RECTIFICATION

Horizontal and vertical movement of the reticle during adjustment are independent of each other. The **pop-up function** is useful against unintentional rotation of the rectification knobs. In the pushed-in position, they are locked and cannot be turned.



ANODIZED SURFACE

A special abrasion-resistant coating eliminates glare.



BRILLIANT IMAGE

Maximum resolution and contrast with precise colour representation throughout the field of view.



ALUMINIUM TUBE

The one-piece main tube made of aircraft-grade aluminium alloy guarantees durability and long-lasting service life.



DIFFERENT AIMING RETICLES

Different aiming reticles are available.



ADJUSTABLE ZOOM

The MeoHunter R5 range of rifle scopes include models with adjustable zoom in a maximum to minimum range of 5:1.



11-LEVEL ILLUMINATION

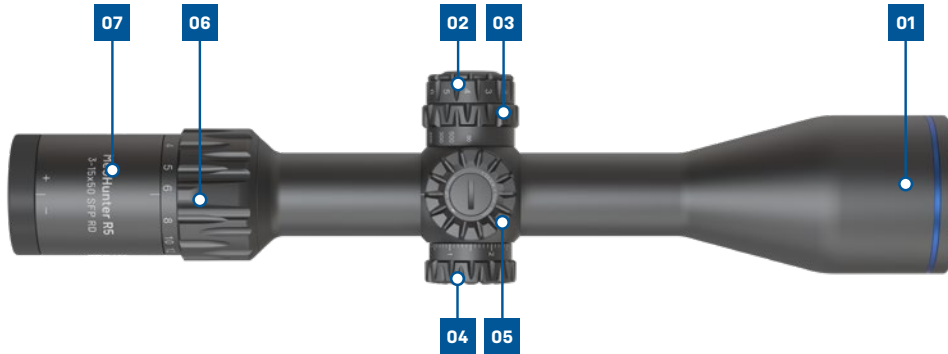
Eleven levels of light intensity with switching between positions.



AUTOMATIC SHUT-OFF

The lighting will turn off after about 2 hours of operation.

▽ DEVICE DESCRIPTION



- 01.** Objective lens
- 02.** Illuminator
- 03.** Lens focus knob – parallax
- 04.** Side rectification dial
- 05.** Vertical rectification dial
- 06.** Magnification adjustment sleeve
- 07.** Eyepiece with focusing sleeve

Products in the range:

MeoHunter R5 3-15x50 SFP RD
MeoHunter R5 4-20x50 SFP RD

MeoHunter R5 3-15x50 FFP RD
MeoHunter R5 5-25x56 FFP RD

Rifle scopes of the **MeoHunter R5** series are used as a complement to various hunting firearms. The rifle scope creates a magnified, horizontal and vertical image of the observed target and, in conjunction with a firearm, multiplies shooting precision at longer distances. Filled with inert gas, the rifle scopes are designed to be 100% water-proof and dust-proof.

▽ CAUTION: NEVER USE THE DEVICE TO LOOK DIRECTLY INTO THE SUN! This can damage your sight.

▽ RECTIFICATION MECHANISM

The rectification knobs can be operated with your fingers, allowing precise step adjustments with excellent repeatability, extended range and maximum accuracy. Distinctive audible clicks allow for accurate adjustment even under field conditions.



Perform the correction as follows:

Pull out the click wheel – **pop-up function** – so that it can be rotated step by step.

The **pop-up function** is useful against unintentional rotation of the knobs. In the pushed-in position, they are locked and cannot be turned.



▽ POINT OF IMPACT CORRECTION



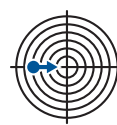
► movement of mean point of impact **upward**

- turn the vertical adjustment knob toward the "UP" arrow



► movement of mean point of impact **downward**

- turn the vertical adjustment knob away from the "UP" arrow



► Movement of mean point of impact **rightward**

- Turn the horizontal adjustment knob toward the "R" arrow

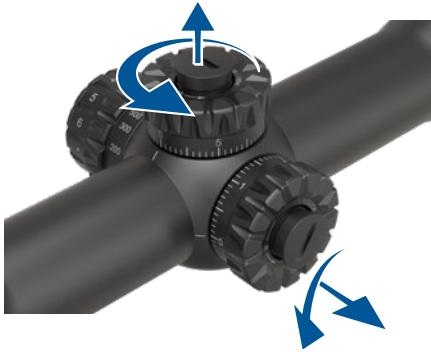


► Movement of mean point of impact **leftward**

- Turn the horizontal adjustment knob away from the "R" arrow

▼ ZERO RESET

Pull out the vertical or horizontal adjustment knobs until they click; then loosen the centre screw with a coin. Slide the knob out a little, so that it turns freely, set the mark on the knob against the mark on the tube, and reinsert. Screw the knob's screw back in.



▼ ILLUMINATOR

The reticle illumination function enables the user to select illumination brightness levels. It enables you to set 11 degrees of lighting intensity according to the scale by turning the illuminator socket with half-click on/off positions.

Before first use, unscrew the cap (08) (the coin slot is for this). Insert the CR2032 3V battery with the polarity correctly oriented, positive pole facing up, and screw the illuminator cap back on.

Caution: Make sure that the sealing ring on the cover is correctly installed. An incorrectly screwed-on cap or sealing ring may result in a non-functional illuminator.



▼ BATTERY REPLACEMENT

Proceed the same as when first inserting a battery into the device.

Attention: Dispose of used batteries according to the Disposal Instructions.



Caution: Keep button batteries out of the reach of children – they may swallow them. Make sure that children cannot reach batteries in open packages.

The scope is equipped with an auto-off function after approximately 2 hours of operation if no changes are made to the reticle brightness setting during this time.

▼ DIOPTRIC CORRECTION

Focusing the aiming reticle

The focusing eyepiece (07) allows the user to correct for eye defects and focus the reticle. Look through the rifle scope at a light background and turn the eyepiece until the reticle is sharp.



▼ DEVICE MAGNIFICATION

Variable magnification – or zoom – allows the user to adjust the device with the magnification sleeve (06) according to the user's needs; it is easily adjustable. Current magnification is indicated by a line.

For shooting at short distances or in limited spaces, low to medium zoom is appropriate. For shooting at greater distances, choose greater magnification.



▼ PARALLAX ADJUSTMENT

What is parallax?

Parallax is an optical phenomenon where the reticle in a rifle scope appears to move relative to the target when you move your head. This happens when the target and reticle are not in the same focal plane.

Why is parallax correction important?

When the parallax is properly set, the reticle stays in place even if you move your head. This means that your shots will be more precise, because the target and the reticle are in the same focal plane.

Control of the parallax knob – focusing the lens (03)

It is continuous, with stops at the minimum and maximum values. The knob is placed on the same axis as the central cube and is integrated with the illuminator knob. The position is indicated by a line on the central cube.



▼ USING THE RETICLE

The reticle is used to achieve accurate aim. The reticle in MeoHunter R5 rifle scopes is located either in the first (FFP – first focal plane) focal plane or in the second (SFP – second focal plane) – marked on the rifle scope.

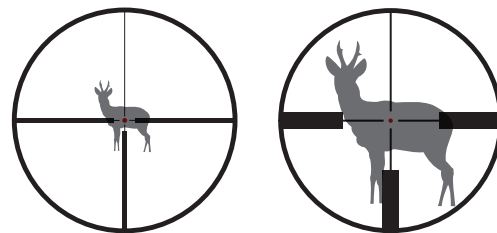
With the reticle placed in the first focal plane, the subjective size of the image changes when zooming in/out.

With the reticle placed in the second focal plane, the subjective size of the image doesn't change.

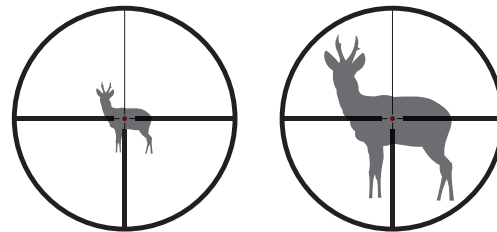
For the basic rifle scopes, the reticles offered are listed in the table.

An overview of reticles and their use in each of the devices can be found at www.meoptasportsoptics.com.

FFP
first focal plane



SFP
second focal plane

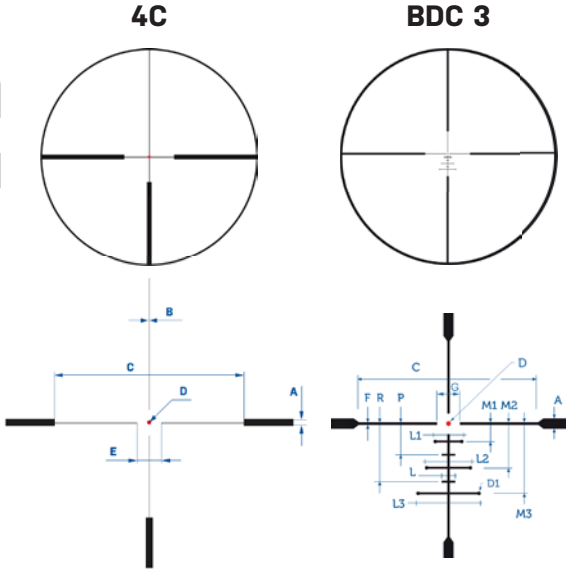


AIMING RETICLE

	4C	BDC3
3-15x50 SFP RD	•	•
3-15x50 FFP RD		•
4-20x50 SFP RD	•	•
5-25x56 FFP RD		•

	cm/100m	mRad
A	5	0.50
B	0.5	0.05
C	140	14.0
D	2.3	0.23
E	17.5	1.75

Applies at 6x magnification



	SFP		FFP	
	3-15x50 / 4-20x50		3-15x50 / 5-25x56	
	cm/100m	mRad	cm/100m	mRad
A	4.9	0.49	4.5 / 5.0	0.45 / 0.5
C	77	7.7	77	7.7
D	2	0.2	2	0.2
D1	1.6	0.16	1.8	0.18
F	0.9	0.09	0.7 / 0.5	0.07 / 0.05
G	6	0.6	6	0.6
L	5.2	0.52	5.2	0.52
L2	16.4	1.64	16.4	1.64
L3	22.8	2.28	22.8	2.28
M1	6.3	0.63	6.3	0.63
M2	15.4	1.54	15.4	1.54
M3	25.9	2.59	25.9	2.59
P,L1	10.5	1.05	10.5	1.05
R	20.3	2.03	20.3	2.3

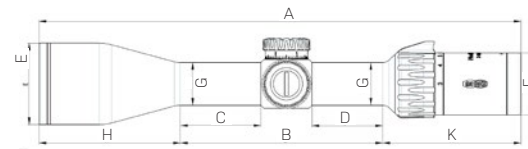
Applies at 7x magnification

Applies at all magnifications

▼ TECHNICAL SPECIFICATIONS

		3-15x50 SFP		3-15x50 FFP		4-20x50 SFP		5-25x56 FFP	
Magnification		3x	15x	3x	15x	4x	20x	5x	25x
Optical diameter of lens	mm	50		50		50		56	
Eye relief	mm	95	98	95	98	94	96	100	
Field of view	°	7.1	14	7	14	5.25	1	4.17	0.8
	m/100m	12.4	2.4	12.2	2.45	9.17	1.82	7.28	1.45
Dioptric range of eyepiece	dpt	-3 / +2		-3 / +2		-3 / +2		-3 / +2	
Rectification step	MIL	0.1		0.1		0.1		0.1	
	MOA	0.34		0.34		0.34		0.34	
	cm/100m	1		1		1		1	
Rectification range	MIL	26.2		26.2		23.3		18.9	
	MOA	90		90		80		65	
	cm/100m	262		262		233		189	
Parallax adjustment	m	10 ∞		10 ∞		15 ∞		20 ∞	
Weight (without covers, with battery)	g	635		620		620		680	
Focal position of reticle		2		1		2		1	

		3-15x50	4-20x50	5-25x56
A	mm	340	340	367.5
B	mm	143	143	143
C	mm	56.8	56.8	57
D	mm	50	50	50
E	mm	57.2	57.2	64
F	mm	43.7	43.7	43.7
G	mm	30	30	30
H	mm	99.7	99.7	127
K	mm	97.5	97.5	97.5



▼ MAINTENANCE AND CLEANING

MeoHunter R5 rifle scopes feature a robust dust-proof, water-proof design but, like any other optico-mechanical device, require careful handling and protection of optical surfaces against damage. When the scope is not being used, its outer optical surfaces should be protected with the supplied covers. Dust deposits on the mechanical parts of the scope should be removed with a soft cloth. Dust on the optical parts should be blown off or wiped off gently with an anti-static cloth supplied with the scope.

After using the rifle scope in rain, thorough drying with a soft cloth is recommended. Be sure to store any optical products in a dry, ventilated area; if stored in extremely humid or tropical conditions, place the product in its case together with a desiccant, e.g. silica gel.

▼ INCLUDED IN PACKAGE

1x	Rifle scope
1x	Lens and eyepiece covers
1x	Battery Li 3V CR2032
1x	Key to battery cover, rectification
1x	Optical wipe
1x	User manual

▼ RECOMMENDED ACCESSORIES

Sunshade
Ring mounting

▽ DISPOSAL INSTRUCTIONS

▽ IMPORTANT:

INSTRUCTIONS FOR DISPOSING OF THE PRODUCT AT THE END OF ITS LIFETIME.

BATTERIES

Never discard batteries with municipal waste. The end user must take dead batteries to a recycling location (e.g. technical service, electrical appliance store) or to the electrical equipment collection site near his home.

CONFORMITY

The products conform to European Union directives 2004/108/EU, 2011/65/EU and 2012/19/EU.

PRODUCT

Do not discard the product with mixed municipal waste. This waste must be discarded as used electrical equipment. Discarded electrical equipment must be taken free of charge to a REMA company collection facility. The manufacturer has a contract with this company within the municipal system.



The images used in this manual are for illustration only and may differ slightly from the product you have purchased.



MeoHunter R5 – EN – 1082039 rev. A

Versions in more languages can be found at:

www.meoptasportsoptics.com



Meopta s.r.o.

Kabelíkova 1
Přerov 750 02
Czech Republic
tel. +420 581 241 111
www.meopta.com

